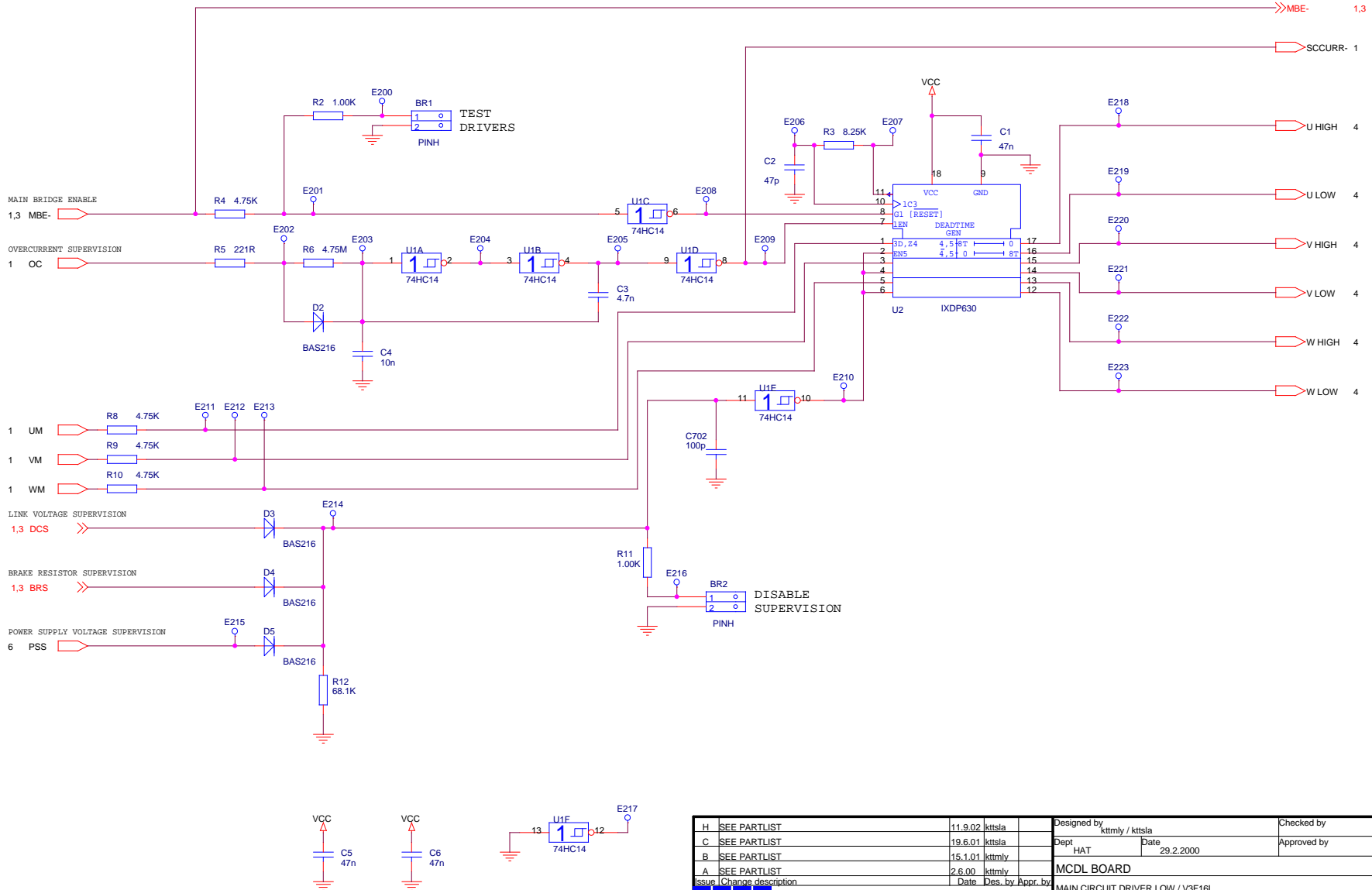
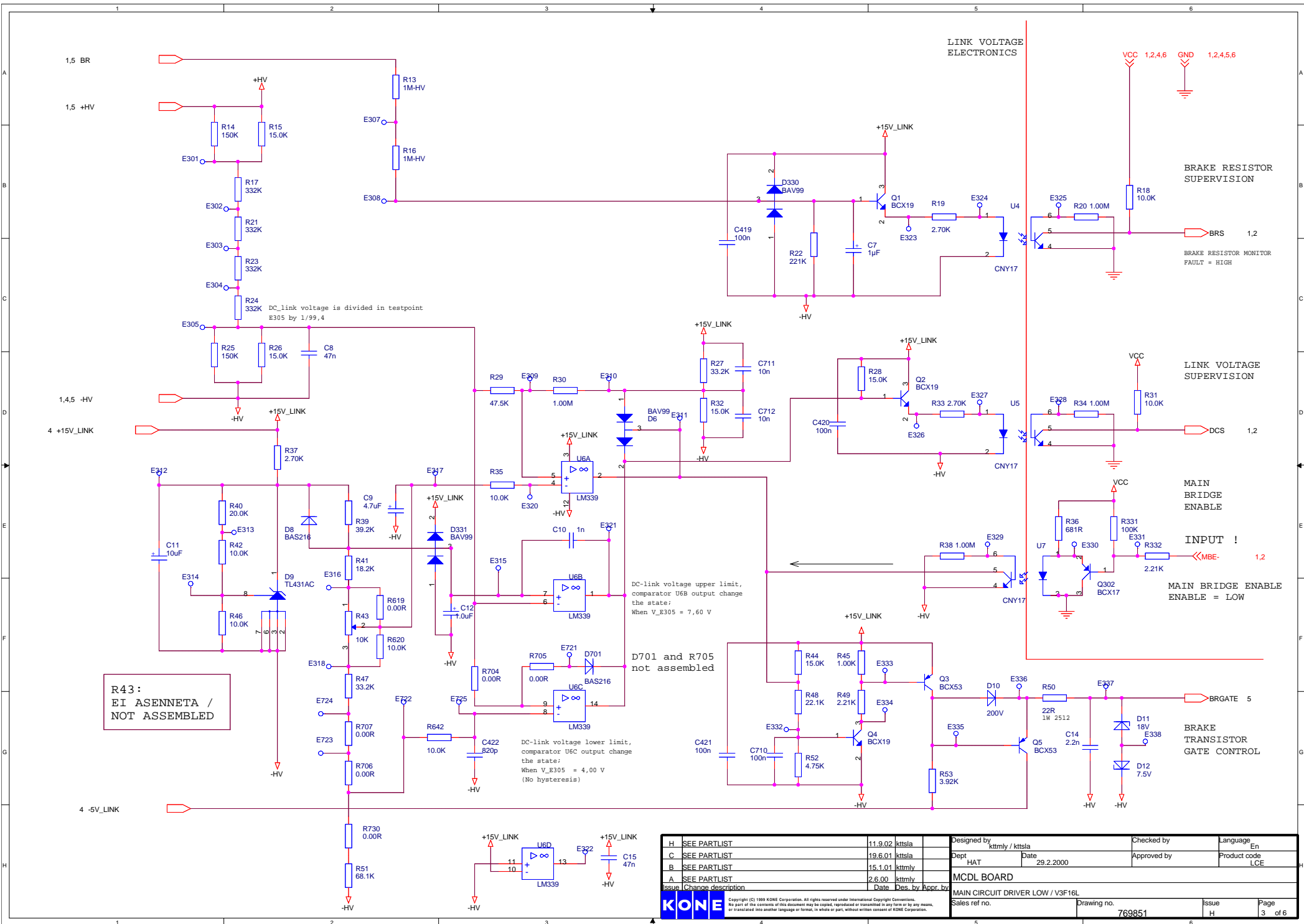


H	SEE PARTLIST	11.9.02	kttsla	Designed by	kttsla / kttsla	Checked by	Language
C	SEE PARTLIST	19.6.01	kttsla	Dept	HAT	Approved by	Product code
B	SEE PARTLIST	15.1.01	kttsla	Date	29.2.2000		LCE
A	SEE PARTLIST	2.6.00	kttsla	MCDL BOARD			
Issue / Change description				Date	Des. by	Appr. by	
Copyright (C) 1999 KONE Corporation. All rights reserved under International Copyright Conventions. No part of the contents of this document may be copied, reproduced or transmitted in any form or by any means, in translated into another language or form, in whole or part, without written consent of KONE Corporation.				MAIN CIRCUIT DRIVER LOW / V3F16L			
Sales ref. no.		Drawing no.		Issue		Page	
		769851		H		1 of 6	

1,3,4,6 VCC
 1,3,4,5,6 GND



H	SEE PARTLIST	11.9.02	kttsla	Designed by	kttrly / kttsla	Checked by	Language	En	
C	SEE PARTLIST	19.6.01	kttsla	Dept	HAT	Date	Approved by	Product code	
B	SEE PARTLIST	15.1.01	kttrly			29.2.2000		LCE	
A	SEE PARTLIST	2.6.00	kttrly	MCDL BOARD					
Issue / Change description		Date	Des. by	MAIN CIRCUIT DRIVER LOW / V3F16L					
Copyright (C) 1999 KONE Corporation. All rights reserved under International Copyright Conventions. No part of the contents of this document may be copied, reproduced or transmitted in any form or by any means, or translated into another language or form, in whole or part, without written consent of KONE Corporation.		KONE		Sales ref no.		Drawing no.		Issue	Page
						769851		H	2 of 6



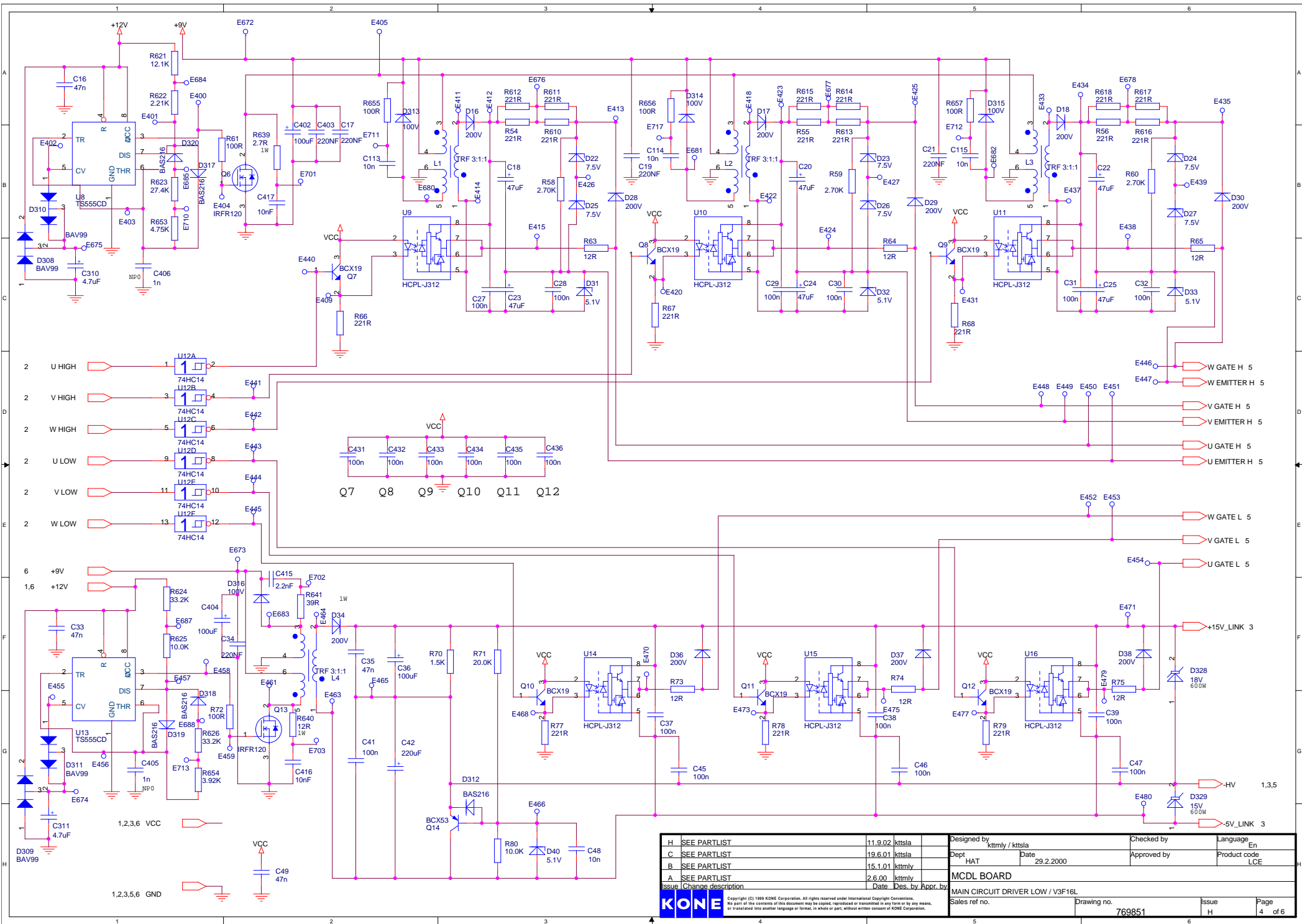
R43:
EI ASENNETA /
NOT ASSEMBLED

D701 and R705
not assembled

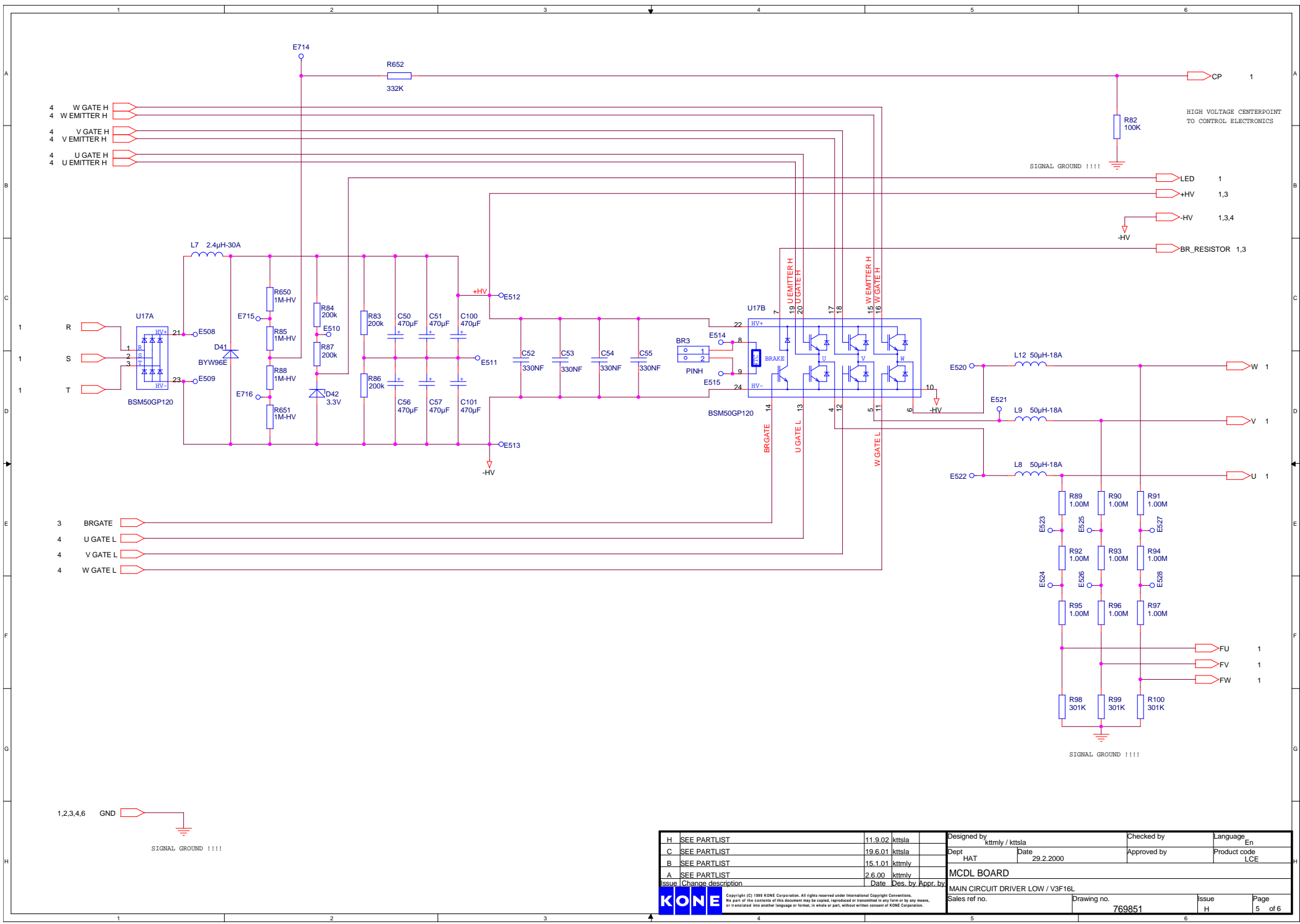
DC-link voltage lower limit,
comparator U6C output change
the state:
When V_E305 = 4,00 V
(No hysteresis)

DC-link voltage upper limit,
comparator U6B output change
the state:
When V_E305 = 7,60 V

H	SEE PARTLIST	11.9.02	kttsla	Designed by	kttslmy / kttsla	Checked by	Language
C	SEE PARTLIST	19.6.01	kttsla	Dept	HAT	Date	29.2.2000
B	SEE PARTLIST	15.1.01	kttslmy	Approved by		Product code	LCE
A	SEE PARTLIST	2.6.00	kttslmy	Issue / Change description	MCDC BOARD	Des. by	Appr. by
Copyright (C) 1999 KONE Corporation. All rights reserved under International Copyright Conventions. No part of the contents of this document may be copied, reproduced or transmitted in any form or by any means, or translated into another language or form, in whole or part, without written consent of KONE Corporation.							
KONE				MAIN CIRCUIT DRIVER LOW / V3F16L			
Sales ref. no.		Drawing no.		Issue		Page	
		769851		H		3 of 6	

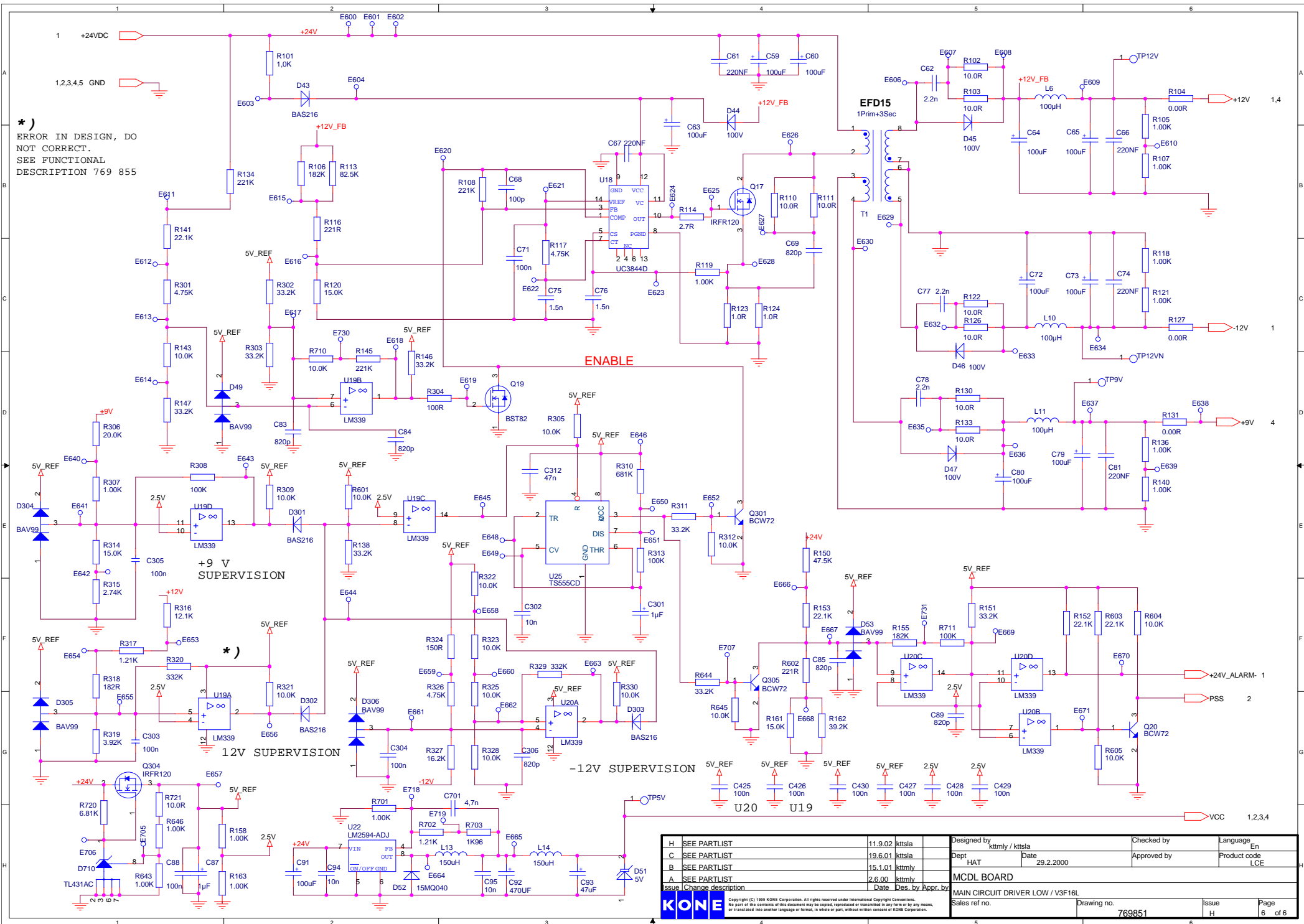


H	SEE PARTLIST	11.9.02	kttsla	Designed by	kttsly / kttsla	Checked by	Language
C	SEE PARTLIST	19.6.01	kttsla	Dept	HAT	Date	29.2.2000
B	SEE PARTLIST	15.1.01	kttsly	Approved by		Product code	LCE
A	SEE PARTLIST	2.6.00	kttsly	MCDL BOARD MAIN CIRCUIT DRIVER LOW / V3F16L			
Issue / Change description							
Copyright (C) 1999 KONE Corporation. All rights reserved under International Copyright Conventions. No part of the contents of this document may be copied, reproduced or transmitted in any form or by any means, or translated into another language or form, in whole or part, without written consent of KONE Corporation.				Sales ref. no.		Drawing no.	Issue
KONE				769851		Page	
						4 of 6	



H	SEE PARTLIST	11.9.02	kttsla	Designed by	kttsla / kttsla	Checked by	Language	En
C	SEE PARTLIST	19.6.01	kttsla	Dept	HAT	Date	Approved by	Product code
B	SEE PARTLIST	15.1.01	kttsla			29.2.2000		LCE
A	SEE PARTLIST	2.6.00	kttsla					
Issue / Change description				Date	Des. by	Appr. by	MCDL BOARD	
Copyright (C) 1999 KONE Corporation. All rights reserved under International Copyright Conventions. No part of the contents of this document may be copied, reproduced or transmitted in any form or by any means, or translated into another language or form, in whole or part, without written consent of KONE Corporation.				MAIN CIRCUIT DRIVER LOW / V3F16L		Sales ref. no.		Issue
KONE				Drawing no.		769851		Page
						H		5 of 6

*)
 ERROR IN DESIGN, DO
 NOT CORRECT.
 SEE FUNCTIONAL
 DESCRIPTION 769 855



H	SEE PARTLIST	11.9.02	kttsla	Designed by	kttsly / kttsla	Checked by	Language	En	
C	SEE PARTLIST	19.6.01	kttsla	Dept	HAT	Date	29.2.2000	Approved by	Product code
B	SEE PARTLIST	15.1.01	kttsly						
A	SEE PARTLIST	2.6.00	kttsly						
Issue / Change description		Date		Des. by		Appr. by			
Copyright (C) 1999 KONE Corporation. All rights reserved under International Copyright Conventions. No part of the contents of this document may be copied, reproduced or transmitted in any form or by any means, or translated into another language or form, in whole or part, without written consent of KONE Corporation.				MCDL BOARD MAIN CIRCUIT DRIVER LOW / V3F16L Sales ref. no.					
KONE				Drawing no.		769851		Page 6 of 6	